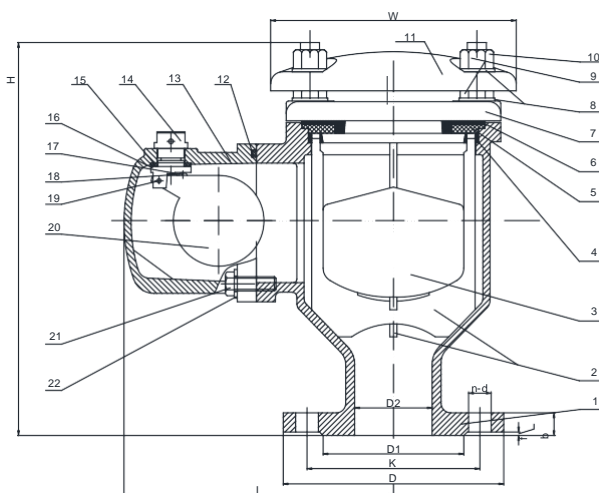


# Ventouse triple fonction



**Remarques :**

1. Design according to EN 1074-4:2000
2. Flange according to EN 1092-2:1997
3. Testing according to EN 12266-1:2012  
 Working pressure: 16kg/cm<sup>2</sup>  
 Shell test pressure: 25kg/cm<sup>2</sup>  
 Seat test pressure: 18kg/cm<sup>2</sup>
4. Media: water, neutral oil
5. External and internal coating: 100% fusion-bonded epoxy
6. SS304, 316 bolts/nuts/washers are available on request

**DIMENSION : MM**

DN	L	H	D	K	D1	D2	n-d	b	f	W	Weight/kg
40	232	329	150	110	84	40	4-19	19	3	206	20
50	232	329	165	125	99	50	4-19	19	3	206	20
40-65	232	329	185	110-145	118	50	4-19	19	3	206	21.5
65	232	329	185	145	118	65	4-19	19	3	206	21.5
80	232	329	200	160	132	80	8-19	19	3	206	22
100	238	413	220	180	156	100	8-19	19	3	280	32.2
150	238	413	285	240	211	150	8-23	19	3	280	34.2
200	238	413	340	295	266	150	12-23	20	3	280	38
250	238	413	405	355	319	150	12-28	22	3	280	43.9
300	238	413	460	410	370	150	12-28	24.5	4	280	52.9

**MATÉRIAU POUR LES PIÈCES PRINCIPALES**

No.	Part Name	Material	Standards	No.	Part Name	Material	Standards
1	Body	Ductile Iron	EN1563-GJS-450 BS2789	12	O-ring	EPDM	EN681-1 BS2494
2	Float Guide	ABS		13	Side Body	Ductile Iron	EN1563-GJS-450 BS2789
3	Float	ABS		14	Cap	Nylon/Brass	
4	Support	ABS		15	Gasket	EPDM	EN681-1 BS2494
5	Seat Ring	EPDM	EN681-1 BS2494	16	Bracket	Nylon	
6	Seat Support	ABS		17	Adjusting Screw	Stainless Steel	EN ISO15481 BS4174
7	Cover	Ductile Iron	EN1563-GJS-450 BS2789	18	Seat	EPDM	EN681-1 BS2494
8	Washer	Carbon Steel	EN ISO7089 BS4320	19	Hinge Pin	Stainless Steel	EN ISO1234 BS1574
9	Nut	Carbon Steel	EN ISO4032 BS3692	20	Side Float	ABS	
10	Hexagon Bolt	Carbon Steel	EN ISO4017 BS3692	21	Hexagon Bolt	Carbon Steel	EN ISO4017 BS3692
11	Cowl	Ductile Iron	EN1563-GJS-450 BS2789	22	Washer	Carbon Steel	EN ISO7089 BS4320