

B SERIES



B3-V

“Peristaltic Dosing Pumps B Series”

The B Series are a range of peristaltic dosing pumps fixed and variable flow rates designed for discontinuous use

General Features

- Flow Rates up to 12 L/H
- Maximum operating pressures of up to 3 Bar
- Flow Rate Adjustment: 10 – 100%
- Variable power supplies from 90 – 260v as standard
- Optional power supplies include 12Vdc, 24Vdc or 24Vac

B 3-V	Version
PBV 43 372 74	0103
PBV43365 74	0403
PBV 43 373 74	1201



B-F

“Peristaltic Dosing Pumps B Series”

The B Series are a range of peristaltic dosing pumps fixed and variable flow rates designed for discontinuous use

General Features

- Flow Rates up to 12 L/H
- Maximum operating pressures of up to 3 Bar
- Flow fixed
- Power supply 230V

B F	Version
PBF 44 374 74	0101
PBF 44 375 74	0301



B-FCD

“Peristaltic Dosing Pumps B Series”

The B Series are a range of peristaltic dosing pumps fixed and variable flow rates designed for discontinuous use

General Features

- Flow Rates up to 12 L/H
- Maximum operating pressures of up to 3 Bar
- with integrated CD meter to monitor detergent concentration in washing systems
- Direct function and upon request, reverse function
- Operating range 400 ÷ 20,000 µS
- LED pump ON indicator
- available with removable power cable
- Peristaltic tubing available in Santoprene®, Silicone, Norprene® or Tygon
- The peristaltic tubing is fitted with SS clamps
- Supplied with wall mounting bracket
- Set point

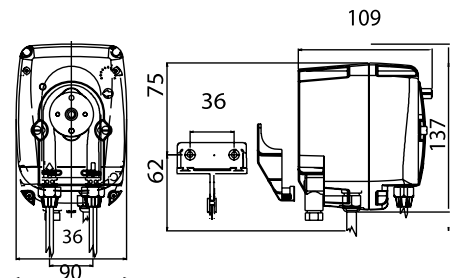
B FCD	Version
PCD 15 188 64	0103
PCD 15 238 64	0303
PCD 15 189 64	0601
PCD 15 042 64	1001



Technical Features

Version	Flow rate	Pressure	Net Weight	Absorbed power	Rotation speed	Tube size	Dimensions (In mm)		
	l/h (US Gal/h)	bar (psi)	Kg	Watt	rpm	mm	Height	Width	Depth
B-F									
0101	1,5 (0.39)	1,5 (21)	0,80	5	20	4.8 x 8.0	137	90	109
0301	3 (0.79)	3 (43)	0,80	10	40	4.8 x 8.0	137	90	109
B3-V									
0103	1 (0.26)	3 (43)	0,70	4	34	3.2 x 9.6	137	90	109
0403	4 (1.06)	3 (43)	0,70	5	47	4.8 x 9.6	137	90	109
1201	12 (3.17)	1 (14)	0,70	5	90	6 x 9	137	90	109
B-FCD									
0103	1 (0.26)	3 (43)	0,70	4	25	3.2 x 9.6	137	90	109
0303	3 (0.79)	3 (43)	0,80	5	50	4.8 x 9.6	137	90	109
0601	6.0 (1.56)	1 (14)	0,70	4	50	6 x 9	137	90	109
1001	10 (2.60)	1 (14)	0,80	5	108	6 x 9	137	90	109

Overall Dimensions



WATER TREATMENT kit Standard B3-V and B-F

FPM peristaltic pumps water treatment accessories: 2 m polyethylene tube (4x6mm), 2m PP crystal tube (4x6mm), 3/8" PVC-FPM injection valve, PP foot filter without check valve.

SCO 00 007 01



EPDM DETERGENT kit Standard B-FCD

EPDM peristaltic pumps detergent accessories: 4m PVC crystal tube (4x6mm), 90° injection nipple for free discharge, stainless steel foot filter with EPDM check valve.

SCO 00 002 02



BH3-V

“Peristaltic Dosing Pumps”

The BH Series are a range of peristaltic dosing pumps with adjustable flow. They are designed for discontinuous use

General Features

- Max flow rate : 100 l/h
- Flow Rate Adjustment: 10 – 100%
- Max working pressure: 1,5 bar
- Power Supply: 90-260v standard 50/60 Hz
- Wall mounting
- Tubing: Available in Santoprene®, Silicone, Norprene® or Tygon
- Accessories: Supplied with 4 metres suction/discharge tubing

BH NORPRENE®	Version
PBH 42 305 P6	1001
BH SANTOPRENE®	Version
PBH 42 305 64	1001
BH SILICONE	Version
PBH 42 305 60	1001
BH TYGON	Version
PBH 42 305 2F	1001

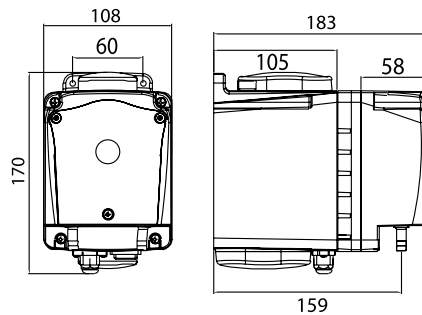
CE
(standard)

Supplied without injection valve or foot filter

Technical Features

Version	Flow rate	Pressure bar (psi)	Net Weight Kg	Absorbed power Watt	Rotation speed rpm	Tube size mm	Dimensions (In mm)		
	l/h (US Gal/h)						Height	Width	Depth
0001	100 (26.41)	1,5 (21)	1,50	25	150	9.6 x 15.9	170	108	183

Overall Dimensions



CE
(standard)