

BT SERIES



BT series metering pumps are in aluminum box and wall mounting

Common Features:

- Flow rate up to 80 L/H
- Operating pressure up to 20 bar
- Standard pump head: PP body, PTFE diaphragm, ceramic balls, FPM sealings*
- 30 – 80 L/H pumps are supplied with PVC pump heads and accessories with fittings for 10×14 tubing
- The casing is in aluminium protected with two coats of epoxy paint
- Manual air bleed pump head; from 5 to 15l/h automatic air bleed available on request
- Control panel protection assured by a transparent polycarbonate cover with gasket
- Level probe input
- IP65 protection degree
- Wall mounted
- Power Supply: 230 Vac 50-60 Hz
- On request power supply: 240 Vac 50-60 Hz; 110 Vac 50-60 Hz
- Strokes frequency: 160 impulses/minute maximum (5-20 L/H models only) - 180 impulses/minute maximum (30-80 L/H models only)
- CE (standard) and CSA certified (on request)

*different configurations available upon request



MA/AD

“Heavy duty wall mounted Analogue Solenoid Dosing Pump”

The BT range is designed for larger Flow Rates (Up to 80 L/H)

General Features

- Manual flow rate adjustment
- Dual scale adjustment: 0 – 20% & 0 – 100%

CE
(standard)

BT MA/AD		Version
PP	PVDF	
PBT 23 037 AA	PBT 23 037 5E	0510
PBT 23 198 01	PBT 23 198 01	0520
PBT 23 043 AA	PBT 23 043 5E	1010
PBT 23 046 01	PBT 23 046 01	2005
PBT 23 184 01	PBT 23 184 01	3004
PBT 23 190 01	PBT 23 190 01	5003
PBT 23 193 01	PBT 23 193 01	8001



MA/M

“Heavy duty wall mounted Analogue Solenoid Dosing Pump”

The BT range is designed for larger Flow Rates (Up to 80 L/H)

General Features

- Digital control
- Display: 7 segments
- Manual flow rate adjustment 0÷100%

CE (standard) **SA** (on request)

BT MA/AD		Version
PP	PVDF	
PBT 18 037 AA	PBT 18 037 5E	0510
PBT 18 198 01	PBT 18 198 01	0520
PBT 18 043 AA	PBT 18 043 5E	1010
PBT 18 046 01	PBT 18 046 01	2005
PBT 18 184 01	PBT 18 184 01	3004
PBT 18 190 01	PBT 18 190 01	5003
PBT 18 193 01	PBT 18 193 01	8001



VFT

“Heavy duty wall mounted Analogue Solenoid Dosing Pump”

The BT range is designed for larger Flow Rates (Up to 80 L/H)

General Features

- Backlight LCD display
- ON/OFF or proportional operating modes
- pH – RX – Cl inputs. Measuring ranges: 0÷14pH; -1000 ÷ +1400mV; 0÷2ppm; 0÷20ppm; 0÷200ppm; 0÷2000ppm
- Manual/Automatic Temperature compensation 0÷100°C
- Basic and Full Menu
- Hysteresis
- Delay Setpoint setting
- Relay output
- 4 ÷ 20 mA output
- Proximity switch input
- Alarm setting

CE
(standard)

BT VFT		Version
PP	PVDF	
PBT 04 037 AA	PBT 04 037 5E	0510
PBT 04 198 01	PBT 04 198 01	0520
PBT 04 043 AA	PBT 04 043 5E	1010
PBT 04 046 01	PBT 04 046 01	2005
PBT 04 184 01	PBT 04 184 01	3004
PBT 04 190 01	PBT 04 190 01	5003
PBT 04 193 01	PBT 04 193 01	8001



pH-Rx-Cl/M “Heavy duty wall mounted Analogue Solenoid Dosing Pump”

The BT range is designed for larger Flow Rates (Up to 80 L/H)

General Features

- Digital manual flow rate adjustment 0÷100%
- Proportional dosing modes: 0.00 – 14 pH; -1000/+1400 mV Redox; 0-2 / 0-20 / 0-200 ppm
- ON/OFF or proportional mode
- Daily and weekly timer (8 programmes/day)
- Output 4-20mA
- Relay Output
- Pt100 probe 0÷100°C
- Proximity switch
- Alarm: Max – Min – Over
- Hysteresis
- Direct or Reverse Intervention
- Display: backlighted

CE
(standard)

BT pH-Rx-Cl/M		Version
PP	PVDF	
PBT 27 037 AA	PBT 27 037 5E	0510
PBT 27 198 01	PBT 27 198 01	0520
PBT 27 043 AA	PBT 27 043 5E	1010
PBT 27 046 01	PBT 27 046 01	2005
PBT 27 184 01	PBT 27 184 01	3004
PBT 27 190 01	PBT 27 190 01	5003
PBT 27 193 01	PBT 27 193 01	8001



MF

“Heavy duty wall mounted Analogue Solenoid Dosing Pump”

The BT range is designed for larger Flow Rates (Up to 80 L/H)

General Features

- Digital manual flow rate adjustment 0÷100%
- Proportional dosing modes: 1xn; 1xn (m) 1:n; PPM
- Daily and weekly timer (8 programmes/day)
- Adjustable 0/4-20mA
- Flow sensor input
- Relay Output

CE
(standard)

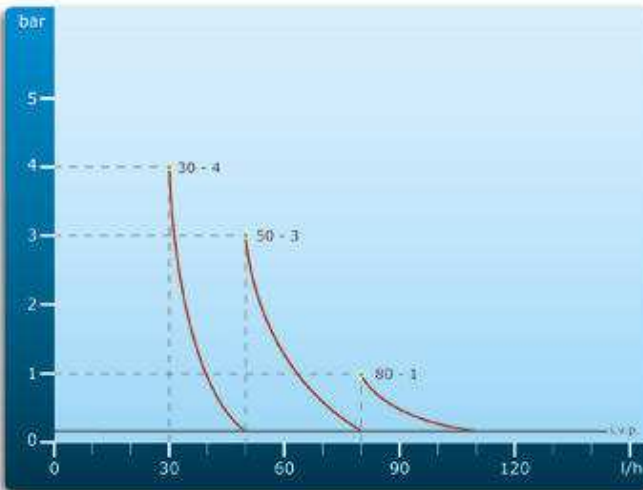
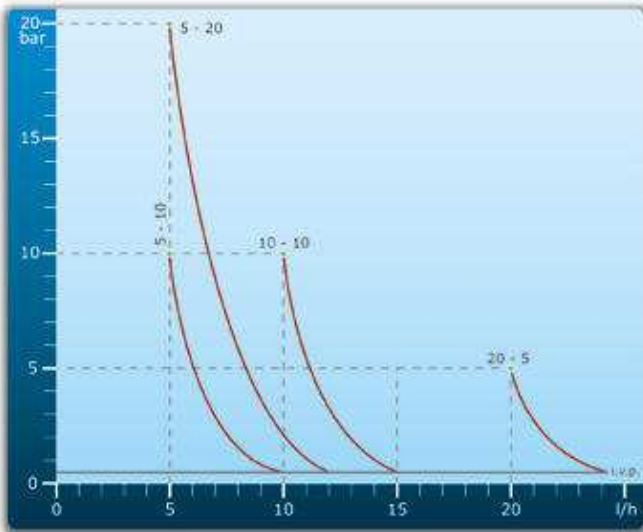
SA
(on request)

BT MF		Version
PP	PVDF	
PBT 17 037 AA	PBT 17 037 5E	0510
PBT 17 198 01	PBT 17 198 01	0520
PBT 17 043 AA	PBT 17 043 5E	1010
PBT 17 046 01	PBT 17 046 01	2005
PBT 17 184 01	PBT 17 184 01	3004
PBT 17 190 01	PBT 17 190 01	5003
PBT 17 193 01	PBT 17 193 01	8001

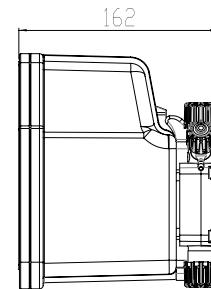
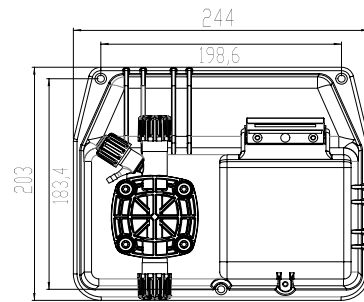
Technical Features

Version	Flow rate	Pressure	Max Frequency	Injection Volume	Connections Int/Ext	Power supply
	l/h (US Gal/h)	bar (psi)	imp/min	cc per stroke	mm	
0510	5 (1.32)	10 (145)	160	0.52	4x6	230V - 50 - 60 Hz
0520	5 (1.32)	20 (290)	160	0.52	4x6	230V - 50 - 60 Hz
1010	10 (2.64)	10 (145)	160	1.04	4x6	230V - 50 - 60 Hz
2005	20 (5.28)	5 (72)	160	2.08	4x6	230V - 50 - 60 Hz
3004	30 (7.92)	4 (58)	180	2.80	10x14	230V - 50 - 60 Hz
5003	50 (13.20)	3 (43)	180	4.60	10x14	230V - 50 - 60 Hz
8001	80 (21.12)	1 (14)	180	7.40	10x14	230V - 50 - 60 Hz

Pressure (bar) – Flow Rate (l/h) Chart



Overall Dimensions



PP-FPM kit 1-15 L

The BT are supplied with a standard PP-FPM installation kit, made up of 2m discharge PE tube (4x6mm), 2m suction + 2m bleeding PVC crystal tube (4x6mm), PP foot-filter, PP injection valve. Other configurations are available upon request.

SCO 00300 02