



ePool

“Peristaltic Pump with built in pH or Rx controller”

The ePool series of peristaltic dosing pumps are perfect for the domestic swimming pools, SPA and wellness centers. These pumps operate on the suction-compression created by rotors on a Santoprene® tube.

General Features

- Possibility to measure two different types of electrochemical variables: pH or Rx
- ON/OFF or proportional activation mode respect to the measure value
- Proportional dosing mode
- Flow rate up to 3 l/h
- Pressure up to 3 bar
- pH measurement range: from 3 to 11 pH
- RX measurement range: from +100 to +999 mV
- Power supply: 230V 50-60Hz
- Maximum power consumption: 15W
- Set point selection
- Type of intervention (direct or inverse)
- Hysteresis
- Delay time of the pump activation
- Over dosing alarm, indicates an overdose situation
- Relay output for signalled alarm status
- Level switch input (included)
- Display: blue/white 16 digits

ePool pH	Version
CXB 400 03 01	0101
CXB 400 04 01	0301
CXB 400 05 01	0202
CXB 400 06 01	0303

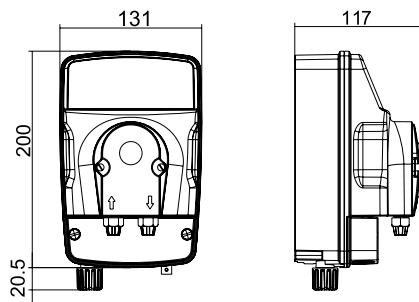
ePool Rx	Version
CXB 400 03 02	0101
CXB 400 04 02	0301
CXB 400 05 02	0202
CXB 400 06 02	0303

ePool NO KIT	Version
CXB 400 03 Z6	0101
CXB 400 04 Z6	0301
CXB 400 05 Z6	0202
CXB 400 06 Z6	0303

Technical Features

Version	Flow rate	Pressure
	l/h (US Gal/h)	bar (psi)
0101	1.5 (0.40)	1.5 (21)
0301	3 (0.79)	1.5 (21)
0202	2 (0.53)	2 (29)
0303	3 (0.79)	3 (43)

Overall Dimensions



WATER TREATMENT ACCESSORIES

FPM peristaltic pumps water treatment accessories: 2 m polyethylene tube (4x6mm), 2m PP crystal tube (4x6mm), 3/8" PVC-FPM injection valve, PP foot filter without check valve.

SCO 00007 01



ph kit

pH ePool pumps accessories: pH plastic body electrode with 5m cable, pH7 and pH9 buffer solutions in 55ml containers, floating level switch complete with plastic support, 1/2" inline PP electrode holder, 1/2"GF-DN50 clamp saddle for electrode holder (2 pcs), PVC M/F 1/2"-3/8" reduction nipple, PP tube nut (2 pcs).

SCO 00030 01



Rx kit

Rx ePool pumps accessories: Rx plastic body electrode with 5m cable, Rx 650mV buffer solution in 55ml container, floating level switch complete with plastic support, 1/2" inline PP electrode holder, 1/2"GF-DN50 clamp saddle for electrode holder (2 pcs), PVC M/F 1/2"-3/8" reduction nipple, PP tube nut (2 pcs).

SCO 00030 02

