

eTWIN PDE SERIES



The eTwin is a compact, easy-to-use equipment consisting of two dosing pumps and two parameters controllers designed to measure pH, Redox and Chlorine plus the temperature. Mainly conceived for pool's industry, the dosing pumps are available either in peristaltic and solenoid versions.

On request the device could be equipped with complete calibration kit, including sensors and mounting accessories.

Common Features:

- Over dosing alarm
- Power supply: 230V 50-60Hz*;
- PP Pump head
- O-Ring: Viton®
- Valves: Ceramic
- Supplied with complete installation kit: Suction hose: PVC Cristal®; Discharge hose: Poliethylene
- level control, alarm output relay
- three relay selectable from the user, set-point (measures + temperature) or timer
- antacid plastic box, backlighted graphic display, wall mounting, IP65 protection degree, complete of installation kit (injection valves, foot filters, suction/delivery tubes).



pH/pH “Dosing and Regulation System for two parameters”

General Features

- Backlighted graphic display, 5 keys keypad
- 3 relays completely selectable: on timer mode (weekly/daily) or as an additional set-point (including the temperature)
- 3 programming menus: set-point, calibration, settings
- Measurement range: pH 0 ÷ 14; Temperature 0 – 100 °C (PT100)
- Inputs: level probes; flow sensor; PT100 probe; proximity switch
- Manual dosing (ON-OFF) 0 ÷ 120 pulses/minute
- Proportional dosing by self-regulation of the stroke frequency
- Flow rate up to 5 l/h and pressure up to 6 bar
- Hysteresis
- Activation delay when switched on
- 1 additional relay dedicated to alarm signals
- 4-20mA output fully programmable

CE
(standard)

eTwin pH-pH		Version
PP	PVDF	
CXB 801 03 AA	CXB 801 03 01	0206
CXB 801 13 AA	CXB 801 13 01	0505



pH/Rx “Dosing and Regulation System for two parameters”

General Features

- Backlighted graphic display, 5 keys keypad
- 3 relays completely selectable: on timer mode (weekly/daily) or as an additional set-point (including the temperature)
- 3 programming menus: set-point, calibration, settings
- Measurement range: pH 0 ÷ 14; Redox: - 1000 / + 1400 mV; Temperature 0 – 100 °C (PT100)
- Inputs: level probes; flow sensor; PT100 probe; proximity switch
- Manual dosing (ON-OFF) 0 ÷ 120 pulses/minute
- Proportional dosing by self-regulation of the stroke frequency
- Flow rate up to 5 l/h and pressure up to 6 bar
- Hysteresis
- Activation delay when switched on
- 1 additional relay dedicated to alarm signals
- 4-20mA output fully programmable

CE
(standard)

eTwin pH-Rx		Version
PP	PVDF	
CXB 801 01 AA	CXB 801 01 01	0206
CXB 801 11 AA	CXB 801 11 01	0505



Cl/pH “Dosing and Regulation System for two parameters”

General Features

- Backlighted graphic display, 5 keys keypad
- 3 relays completely selectable: on timer mode (weekly/daily) or as an additional set-point (including the temperature)
- 3 programming menus: set-point, calibration, settings
- Measurement range: PPM: 0 – 2; 0 – 10, 0 – 20 and 0 – 200 ppm; pH 0 ÷ 14; Temperature 0 – 100 °C (PT100)
- Inputs: level probes; flow sensor; PT100 probe; proximity switch
- Manual dosing (ON-OFF) 0 ÷ 120 pulses/minute
- Proportional dosing by self-regulation of the stroke frequency
- Flow rate up to 5 l/h and pressure up to 6 bar
- Hysteresis
- Activation delay when switched on
- 1 additional relay dedicated to alarm signals
- 4-20mA output fully programmable

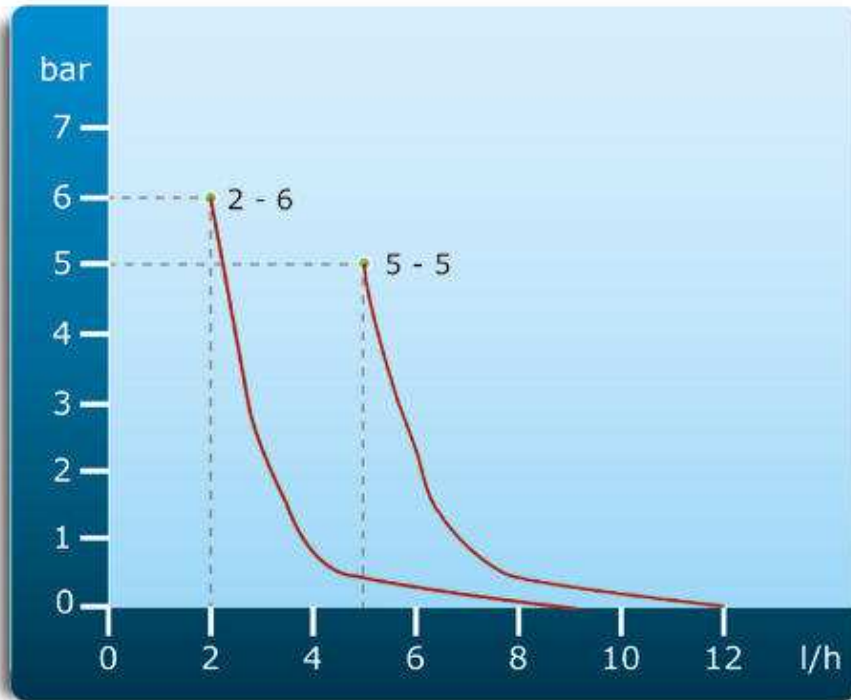
CE
(standard)

eTwin Cl-pH		Version
PP	PVDF	
CXB 801 02 AA	CXB 801 02 01	0206
CXB 801 12 AA	CXB 801 12 01	0505

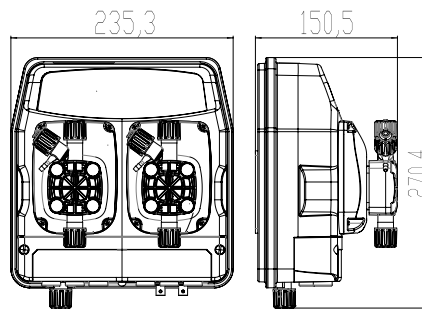
Technical Features

Version	Flow rate	Pressure	Max Frequency	Power supply	Power consumption	Net Weight
	l/h (US Gal/h)	bar (psi)	imp/min		Min/Max (W)	Kg
0206	2 (0.53)	6 (87)	120	230V - 50 - 60 Hz	65	3,5
0505	5 (1.32)	5 (72)	120	230V - 50 - 60 Hz	65	3,5

Pressure (bar) – Flow Rate (l/h) Chart



Overall Dimensions



PP-FPM kit
Up to 20 l/h

PP injection valve, PP foot filter, PVC suction tube and PE discharge tube.

2061002