



# D

## “Diaphragm motor-driven dosing pumps”

The metering pumps **D series** are driven by an electric motor, the dosage takes place thanks to a NBR/PTFE (material in contact with the liquid) diaphragm. The **D series** pumps make their robustness and reliability their main characteristic.

### General Features

- Valves: Single ball with SS316L pump head - Double balls with PVC pump head
- Frequency: 60, 103 and 120 strokes/min at 50Hz - 72 and 122 strokes/min at 60Hz
- Diaphragm in NBR/PTFE - PTFE material in contact with the chemical
- Die-cast aluminum housing protected by epoxy/antiacid paint
- Max Flow rate: 535 l/h at 50Hz - 574 l/h at 60Hz
- Standard Power Supply: 230-400V 3phases 50Hz
- Motor: 0.25 or 0.37 kW
- Pump Head: PVC, SS316L or PVDF
- Max Pressure: 12 bar
- Balls: ceramic or SS316L
- Ball seats FPM, EPDM or NBR
- Valves seats in PVC or PVDF
- IP55 protection degree
- Insulation class: F

### On request

D pumps series can be equipped with

### Motorizations:

- Without motor • UL/CSA motor certification • Single-phase motor • Self-ventilated motor • ATEX motor
- Tropicalized motor

### Hydraulic:

- NPT hydraulic connections • Larger dimensions valves

### Regulation and control by an external signal:

- Electric actuator (automatic adjustment of piston “run” by a 4-20mA signal) • Inverter (automatic adjustment od motor speed by a 4-20mA signal)

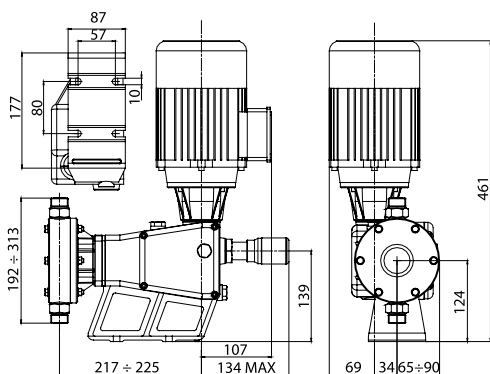
Code	Flow rate	Delivery Head AISI
	l/h (US Gal/h)	bar (psi)
BD0079AA00000	79 (20,87)	12 (174)
BD0135AA00000	135 (35,67)	10 (145)
BD0158AA00000	158 (41,74)	8 (116)
BD0150AA00000	150 (39,63)	7,5 (109)
BD0257AA00000	257 (67,90)	6 (87)
BD0300AA00000	300 (79,26)	5 (73)
BD0278AA00000	278 (73,45)	3,5 (51)
BD0478AA00000	478 (126,3)	2,5 (36)
BD0535AA00000	535 (141,4)	2 (29)
BD0278AA00600	278 (73,45)	4 (58)
BD0478AA00600	478 (126,3)	3 (43)
BD0535AA00600	535 (141,4)	2,5 (36)

Code	Flow rate	Delivery Head PVC
	l/h (US Gal/h)	bar (psi)
BD0079BA00000	79 (20,87)	10 (145)
BD0135BA00000	135 (35,67)	10 (145)
BD0158BA00000	158 (41,74)	8 (116)
BD0150BA00000	150 (39,63)	7,5 (109)
BD0257BA00000	257 (67,90)	6 (87)
BD0300BA00000	300 (79,26)	5 (73)
BD0278BA00000	278 (73,45)	3,5 (51)
BD0478BA00000	478 (126,3)	2,5 (36)
BD0535BA00000	535 (141,4)	2 (29)
BD0278BA00600	278 (73,45)	4 (58)
BD0478BA00600	478 (126,3)	3 (43)
BD0535BA00600	535 (141,4)	2,5 (36)

### Technical Features

Model	Flow rate l/h (US Gal/h)		Delivery Head bar (psi) AISI		Delivery Head bar (psi) PVC		Strokes/min		Stroke length mm	Ø Diaphragm mm	Power kW	Valves
	50 Hz	60 Hz	50 Hz	60 Hz	50 Hz	60 Hz	50 Hz	60 Hz				
BD0079	79 (20,87)	95 (25,05)	12 (174)	11 (160)	10 (145)	10 (145)	60	72	10			
BD0135	135 (35,67)	162 (42,80)	10 (145)	8 (116)	10 (145)	8 (116)	103	122	10	75	0,25	3/4" Gm
BD0158	158 (41,74)	-	8 (116)	-	8 (116)	-	120	-	10			
BD0150	150 (39,63)	180 (47,56)	7,5 (109)	6 (87)	7,5 (109)	6 (87)	60	72	10			
BD0257	257 (67,90)	308 (81,48)	6 (87)	5 (73)	6 (87)	5 (73)	103	122	10	95	0,25	1" Gm
BD0300	300 (79,26)	-	5 (73)	-	5 (73)	-	120	-	10			
BD0278	278 (73,45)	334 (88,14)	3,5 (51)	3 (44)	3,5 (51)	3 (44)	60	72	10			
BD0478	478 (126,3)	574 (151,6)	2,5 (36)	2 (29)	2,5 (36)	2 (29)	103	122	10	115	0,25	1" Gm
BD0535	535 (141,4)	-	2 (29)	-	2 (29)	-	120	-	10			
BD0278	278 (73,45)	334 (88,14)	4 (58)	3,5 (51)	4 (58)	3,5 (51)	60	72	10			
BD0478	478 (126,3)	574 (151,6)	3 (43)	2,5 (36)	3 (43)	2,5 (36)	103	122	10	115	0,37	1" Gm
BD0535	535 (141,4)	-	2,5 (36)	-	2,5 (36)	-	120	-	10			

### Overall Dimensions



### Pump Head configurations

#### Standard

Version	Head	Connections	Diaphragm	Valve Seats	Balls	Ball Seats
AA	SS316L	SS316L	NBR/PTFE	PVDF	SS316L	NBR
BA	PVC	PVC	NBR/PTFE	PVC	Ceramic	FPM

#### On Request

Version	Head	Connections	Diaphragm	Valve Seats	Balls	Ball Seats
AP	SS316L	SS316L	NBR/PTFE	PVDF	SS316L	FPM
AI	SS316L	SS316L	NBR/PTFE	PVDF	SS316L	EPDM
BI	PVC	PVC	NBR/PTFE	PVC	Ceramic	EPDM
SA	PVDF	PVDF	NBR/PTFE	PVDF	Ceramic	FPM
SI	PVDF	PVDF	NBR/PTFE	PVDF	Ceramic	EPDM