



ST-D

“Membrane motor-driven dosing pumps”

The metering pumps **ST-D series** are driven by an electric motor, the dosage takes place thanks to a PTFE membrane. The **ST-D series** pumps make their robustness and reliability their main characteristic.

General Features

- Frequency: from 60 to 120 strokes/min at 50Hz - from 72 to 144 strokes/min at 60Hz
- Die-cast aluminum housing protected by epoxy/antiacid paint
- Max Flow Rate: 123 l/h at 50Hz - 148 l/h at 60Hz
- Standard Power Supply: 230-400V phases 50/60Hz
- Max Pressure: 14 bar
- Motor: 0.18 kW
- Pump head: PP, PVC, SS316 or PVDF
- Valves: balls in ceramic or SS316L
- Ball seats FPM, EPDM or NBR
- Valve seats in PVC or PVDF
- Membrane in PTFE
- IP55 protection degree
- F insulatio class

On request

ST-D pumps series can be equipped with

Motorizations:

- Without motor • UL/CSA motor certification • Single-phase motor • Self-ventilated motor • ATEX motor • Tropicalized motor

Hydraulic:

- NPT hydraulic connections • Larger dimensions valves

Regulation and control by an external signal:

- Electric actuator (automatic adjustment of piston “run” by a 4-20mA signal) • Inverter (automatic adjustment of motor speed by a 4-20mA signal)

Code	Flow rate	Delivery Head AISI
	l/h (US Gal/h)	bar (psi)
AD0016AA00100	16 (4,23)	14 (203)
AD0033AA00100	33 (8,72)	14 (203)
AD0030AA00100	30 (7,92)	11 (160)
AD0060AA00100	60 (15,85)	11 (160)
AD0061AA00100	61 (16,12)	7 (102)
AD0123AA00100	123 (32,50)	6 (87)
AD300AA00A000	300 (79,26)	5 (72)

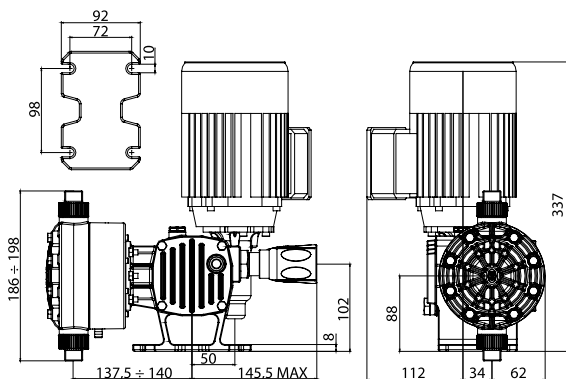
Code	Flow rate	Delivery Head PVC
	l/h (US Gal/h)	bar (psi)
AD300BA00A000	300 (79,26)	5 (72)

Code	Flow rate	Delivery Head PP
	l/h (US Gal/h)	bar (psi)
AD0016CA00100	16 (4,23)	14 (203)
AD0033CA00100	33 (8,72)	14 (203)
AD0030CA00100	30 (7,92)	11 (160)
AD0060CA00100	60 (15,85)	11 (160)
AD0061CA00100	61 (16,12)	7 (102)
AD0123CA00100	123 (32,50)	6 (87)

Technical Features

Model	Flow rate l/h (US Gal/h)		Delivery Head bar (psi) AISI		Delivery Head bar (psi) PP		Strokes/min		Stroke length mm	Ø Diaphragm mm	Power kW	Valves
	50 Hz	60 Hz	50 Hz	60 Hz	50 Hz	60 Hz	50 Hz	60 Hz				
AD0016	16 (4,23)	19 (5,07)	14 (203)	14 (203)	14 (203)	14 (203)	60	72	4	50	0,18	1/2" Gm
AD0033	33 (8,72)	40 (10,46)	14 (203)	12 (174)	14 (203)	12 (174)	120	144	4	50	0,18	1/2" Gm
AD0030	30 (7,92)	36 (9,51)	11 (160)	11 (160)	11 (160)	11 (160)	60	72	4	67	0,18	1/2" Gm
AD0060	60 (15,85)	72 (19,02)	11 (160)	10 (145)	11 (160)	10 (145)	120	144	4	67	0,18	1/2" Gm
AD0061	61 (16,12)	73 (19,34)	7 (102)	6,5 (94)	7 (102)	6,5 (94)	60	72	4	85	0,18	1/2" Gm
AD0123	123 (32,50)	148 (39,00)	6 (87)	5 (72)	6 (87)	5 (72)	120	144	4	85	0,18	1/2" Gm

Overall Dimensions



Pump Head configurations

Standard

Version	Head	Connections	Membrane	Valve Seats	Balls	Ball Seats
AA	SS316L	SS316L	PTFE	PVDF	SS316L	NBR
CA	PP	PP	PTFE	PVC	Ceramic	FPM

On Request

Version	Head	Connections	Membrane	Valve Seats	Balls	Ball Seats
AP	SS316L	SS316L	PTFE	PVDF	SS316L	FPM
AI	SS316L	SS316L	PTFE	PVDF	SS316L	EPDM
BA	PVC	PVC	PTFE	PVC	Ceramic	FPM
BI	PVC	PVC	PTFE	PVC	Ceramic	EPDM
CI	PP	PP	PTFE	PVC	Ceramic	EPDM
SA	PVDF	PVDF	PTFE	PVDF	Ceramic	FPM
SI	PVDF	PVDF	PTFE	PVDF	Ceramic	EPDM