

Peristaltic Dosing Pumps Series F & F-T

Compact peristaltic pumps with constant flow rate designed for discontinuous use

- F Series Constant flow rate peristaltic pump for discontinuous use
- F-T Series Constant flow rate with integral timer (0-7 seconds; controlled by potentiometer) for discontinuous use

GENERAL FEATURES

- Flow rates From 1.1 to 6 L/H
- Maximum operating pressures 1 bar
- Peristaltic tubing available in Santoprene or Silicone
- Wall mounted with removable gearbox/motor for panel mounting
- 230v power supply as standard
- Optional 120v, 12vdc, 24vac, 24vdc power supplies (only available for certain models)
- Model 6 l/h only 24 Vdc

Accessory Kit: Available with additional accessory kits (includes injection valve, foot filter and suction & discharge tubing)

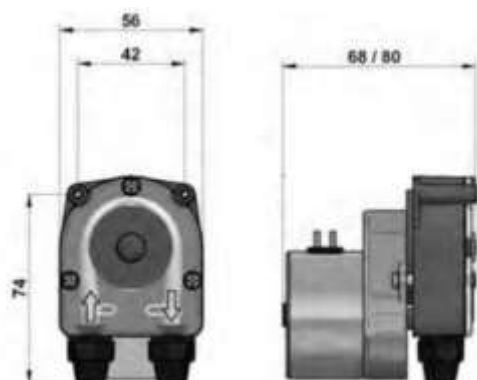
Flow Rates / Operating Pressures



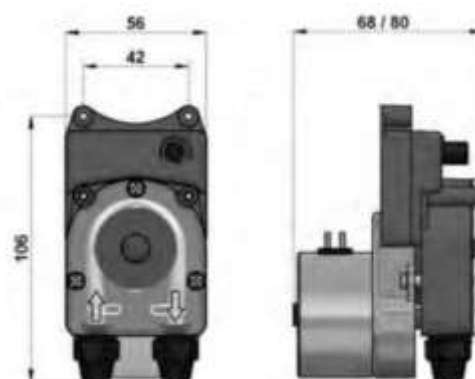
Model	Flow Rate L7H	Max Pressure	Power Supply	RPM	Dimensions (In mm)		
					Height	Width	Depth
1	0.5	1	230V, 50/60 Hz	10	81	56	68
101	1.1	1	230V, 50/60 Hz	20	81	56	68
			240V, 50/60 Hz				
			110V, 50/60 Hz				
			24V, 50/60 Hz				
			24Vdc	22	81	56	68
			12Vdc	21			
201	2.2	1	230V, 50/60 Hz	48	81	56	68
			240V, 50/60 Hz				
			110V, 50/60 Hz				
			24V, 50/60 Hz				
			12Vdc	60	81	56	80
301	3.3	1	230V, 50/60 Hz	60	81	56	80
601	6	1	12/24Vdc	108	81	56	87

Dimensions

F Series



F.T Series



Codes

F Silicone	Version
PPF02 368 60	0001
PPF02 19260	0101
PPF 02 187 60	0201
PPF 02 331 60	0301
PPF 02 189 60	0601

F Santprene	Version
PPF02 368 64	0001
PPF02 19264	0101
PPF 02 187 64	0201
PPF 02 331 64	0301
PPF 02 189 64	0601

F-T Silicone	Version
PPF07 368 60	0001
PPF07 19260	0101
PPF 07 187 60	0201
PPF 07 331 60	0301
PPF 07 189 60	0601

F-T Santoprene	Version
PPF07 368 64	0001
PPF07 19264	0101
PPF 07 187 64	0201
PPF 07 331 64	0301
PPF 07 189 64	0601