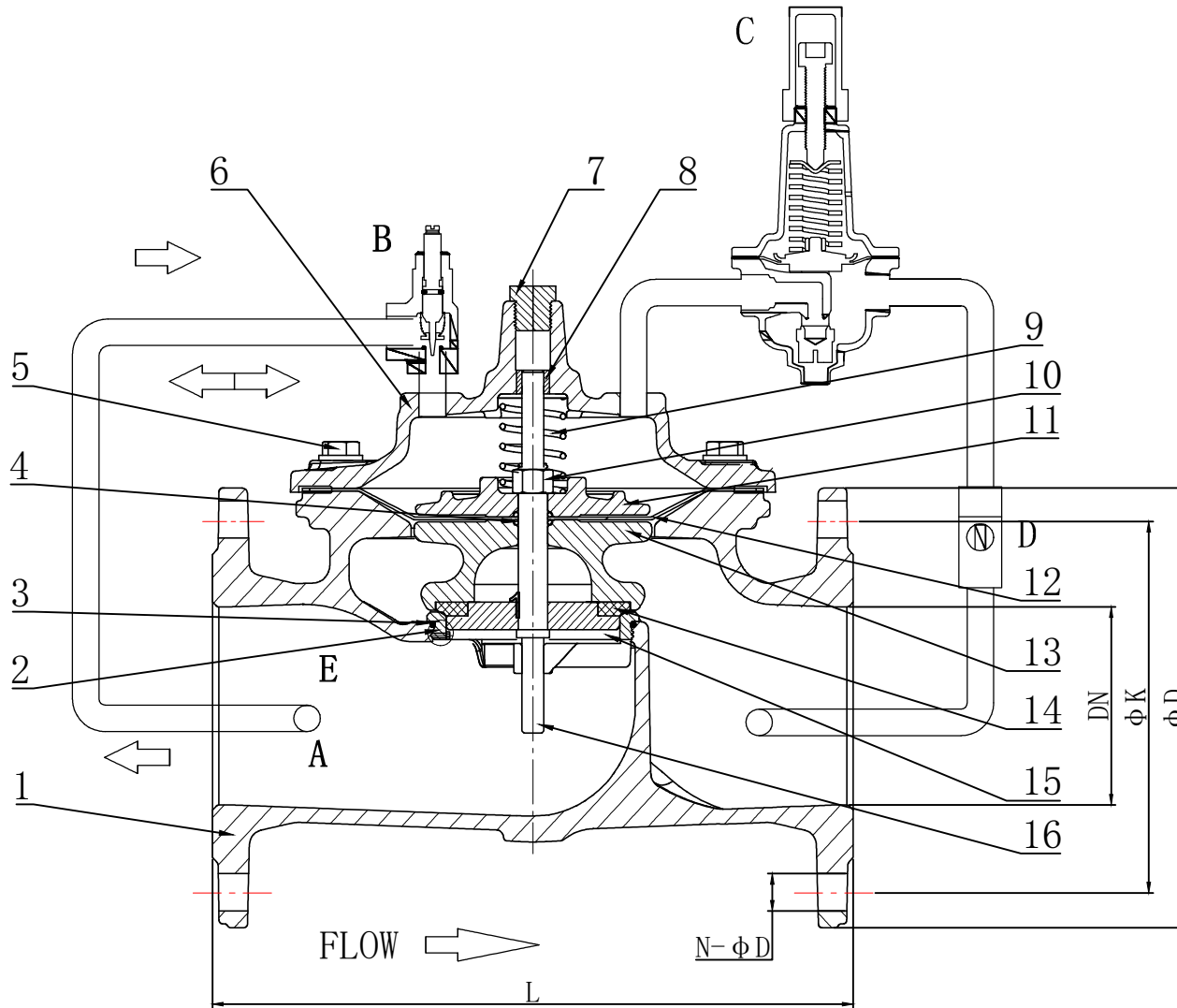


# REDUCTEUR DE PRESSION F8020

DN	L	φD						φK						N-φD												
		PN10	PN16	PN25	CLASS125	CLASS150	CLASS300	PN10	PN16	PN25	CLASS125	CLASS150	CLASS300	PN10	PN16	PN25	CLASS125	CLASS150	CLASS300							
50	230	165			152			125			120.5			127			4-φ19						8-φ19			
65	290	185			178			145			139.5			149			4-φ19		8-φ19		4-φ19		8-φ22			
80	310	200			191			210			160			152.5			168			8-φ19						8-φ22
100	350	220	235		229			254		180		190		190.5			200		8-φ19		8-φ23		8-φ19		8-φ22	
125	400	250	270					279		210		220		235			8-φ19		8-φ28				8-φ22			
150	480	285	300		279			317		240		250		241.50			270		8-φ23		8-φ28		8-φ22		12-φ22	
200	600	340	360		343			381		295		310		298.50			330		8-φ23		12-φ23		12-φ28		8-φ22	12-φ25
250	730	405	425		406			444		350		370		362			387		12-φ23		12-φ28		12-φ31		12-φ25	16-φ28
300	850	460	485		483			521		400		430		432			451		12-φ23		12-φ28		16-φ31		12-φ25	16-φ32
350	980	520	555							460		490							16-φ23		16-φ28		16-φ34			



NO.	Part name	Standard	Option
1	Body	GJS500-7	SUS304
2	Seat	SUS304	SUS316
3	O-ring	NBR	
4	O-ring	NBR	
5	Bolt	A2-70	A4
6	Bonnet	GJS500-7	SUS304
7	Plug	SUS304	SUS316
8	Bushing	Bronze C61900	
9	Spring	SUS304	SUS316
10	Nut	A2-70	A4
11	Plate	GJS500-7	
12	Diaphragm	EPDM	
13	Disc holder	GJS500-7	
14	Seal	NBR	
15	Seat retainer	SUS304	SUS316
16	Stem	SUS304	SUS316
A	Strainer	SUS304	SUS316
B	Needle valve	SUS304	SUS316
C	Pressure reduced pilot	SUS304	SUS316
D	Ball valve	SUS304	SUS316
E	Pressure gauge	SUS304	SUS316

200 Pressure reducing valve  
DN50-350