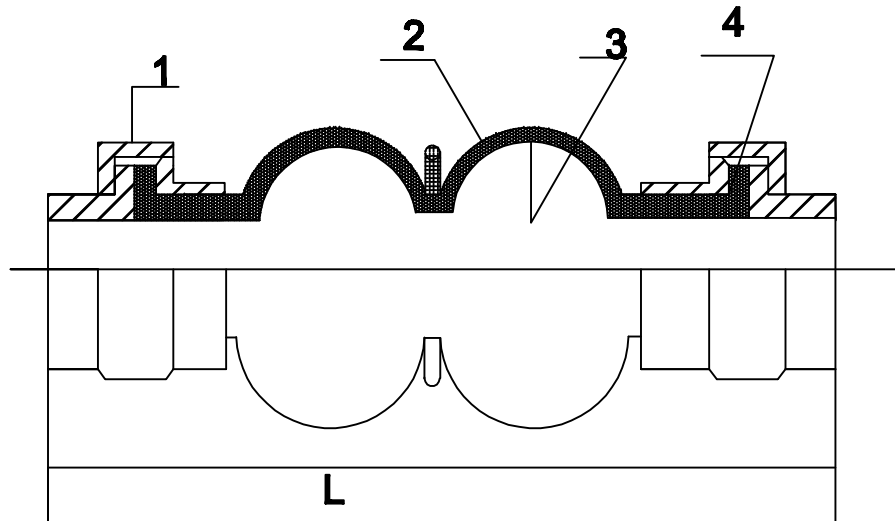


MANCHON ANTIVIBRATOIRE TARAUDÉ



Oil free rubber joint		
NO	NAME	MATERIAL
1	Thread	Malleable iron
2	outer layer rubber	NR/FKM
3	inner layer rubber	NR/FKM
4	skeleton layer	Polyester cord fabric

Main size table				
Size	Length	Axial compression	Axial elongation	Deflection angle
DN25	200mm	10	5	40°
DN32	210mm	10	5	40°