

Stainless Steel Vertical Multistage Pump SVM(T)32

Applications

- Water supply
- Industry pressure boosting
- Industry liquid transfer
- Water treatment
- Irrigation

Motor

- Fitted with a totally enclosed fan-cooled, 2-pole motor
- Enclosure class: IP55
- Insulation class: F
- Supply voltage: 50Hz or 60Hz

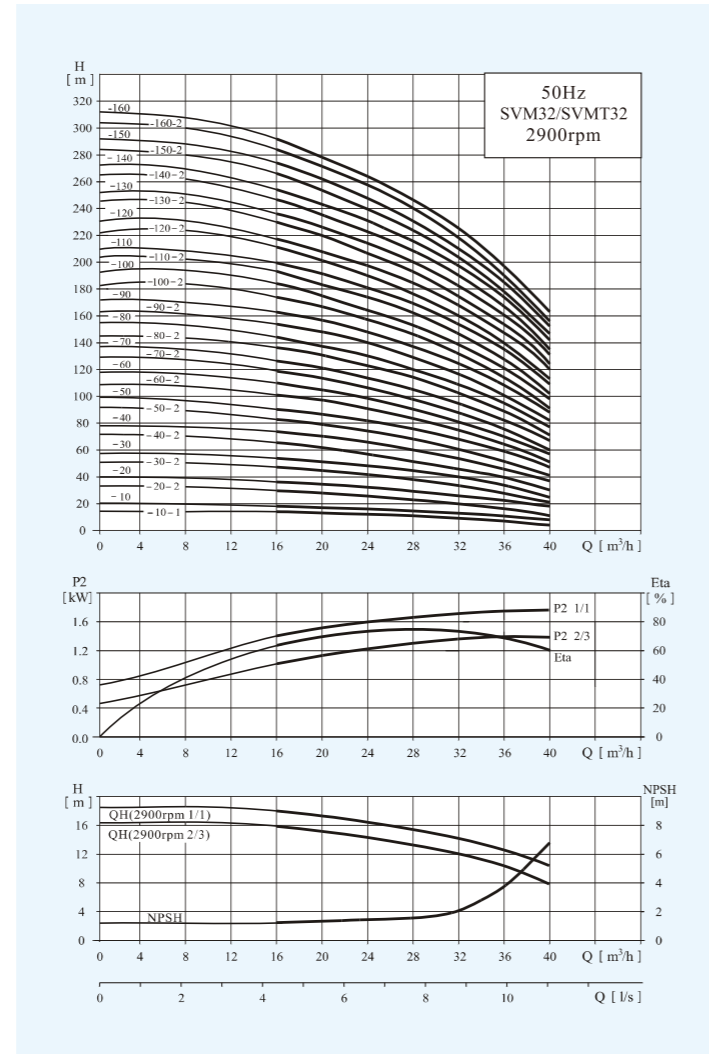
Operation conditions

- Thin, clean, non-explosive liquids, not containing solid particles or fibers liquid
- Liquid temperature: normal temperature type: -15°C~+70°C hot water type: -15°C~+105°C
- Ambient temperature: maximum +40°C
- Altitude: maximum 1000m

Material

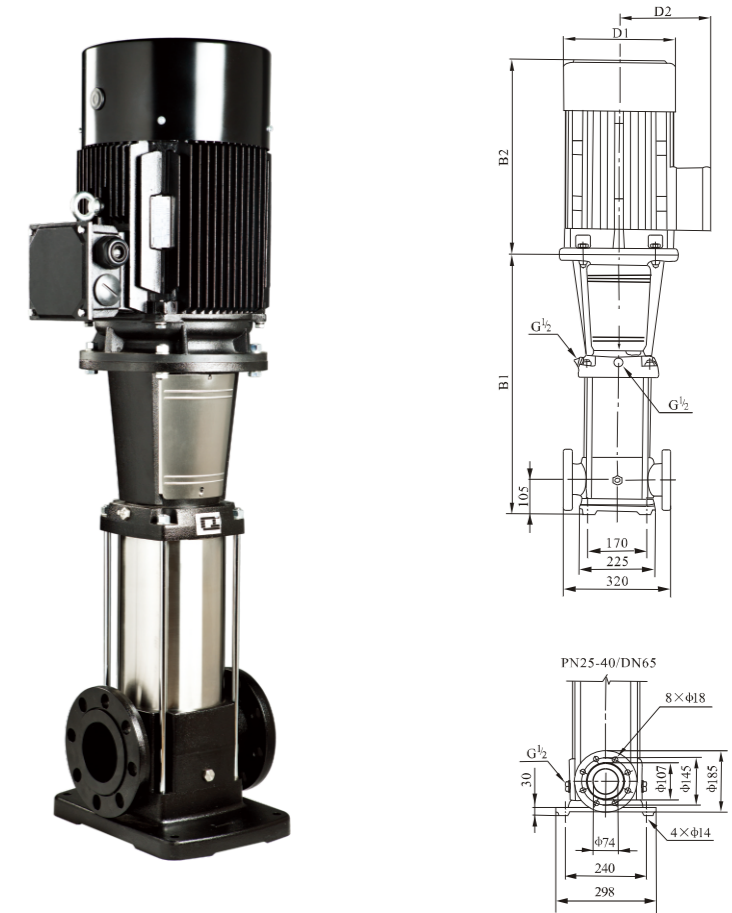
- Inlet&outlet chamber: Cast iron/Stainless steel(304/316)
- Impeller: Stainless steel(304/316)
- Shell: Stainless steel(304/316)
- Shaft: Stainless steel(304/316)
- Coupling: Ductile iron
- Bearing: Tungsten carbide
- Mechanical seal: Tungsten carbide/Graphite

Performance Curves



Performance Table

| Model | Associated motor(kW) | Q (m³/h) | H (m) | | | | | | | Model | Associated motor(kW) | Q (m³/h) | H (m) | | | | | | |
|------------|----------------------|----------|-------|-----|-----|-----|-----|----|----|-------------|----------------------|----------|-------|-----|-----|-----|-----|-----|-----|
| | | | 16 | 20 | 24 | 28 | 32 | 36 | 40 | | | | 16 | 20 | 24 | 28 | 32 | 36 | 40 |
| SVM32-10-1 | 1.5 | H (m) | 14 | 13 | 12 | 11 | 9 | 7 | 4 | SVM32-90-2 | 18.5 | H (m) | 154 | 148 | 140 | 129 | 117 | 102 | 82 |
| SVM32-10 | 2.2 | | 18 | 17 | 15 | 14 | 13 | 11 | 8 | SVM32-90 | 18.5 | | 162 | 156 | 147 | 136 | 124 | 109 | 88 |
| SVM32-20-2 | 3.0 | | 29 | 28 | 26 | 23 | 20 | 16 | 11 | SVM32-100-2 | 18.5 | | 175 | 166 | 157 | 146 | 131 | 115 | 91 |
| SVM32-20 | 4.0 | | 36 | 34 | 32 | 29 | 27 | 23 | 18 | SVM32-100 | 18.5 | | 182 | 173 | 164 | 152 | 138 | 122 | 98 |
| SVM32-30-2 | 5.5 | | 47 | 44 | 41 | 38 | 33 | 28 | 21 | SVM32-110-2 | 22 | | 193 | 184 | 173 | 164 | 146 | 128 | 102 |
| SVM32-30 | 5.5 | | 54 | 51 | 48 | 44 | 40 | 35 | 27 | SVM32-110 | 22 | | 200 | 191 | 180 | 168 | 153 | 135 | 109 |
| SVM32-40-2 | 7.5 | | 65 | 62 | 58 | 53 | 46 | 40 | 30 | SVM32-120-2 | 22 | | 211 | 201 | 189 | 178 | 160 | 140 | 113 |
| SVM32-40 | 7.5 | | 72 | 69 | 65 | 59 | 53 | 47 | 37 | SVM32-120 | 22 | | 218 | 208 | 196 | 184 | 167 | 147 | 120 |
| SVM32-50-2 | 9.2 | | 83 | 79 | 74 | 68 | 60 | 52 | 41 | SVM32-130-2 | 26 | | 230 | 218 | 206 | 193 | 174 | 153 | 124 |
| SVM32-50 | 9.2 | | 90 | 86 | 81 | 74 | 67 | 59 | 47 | SVM32-130 | 26 | | 237 | 225 | 213 | 200 | 181 | 160 | 131 |
| SVM32-60-2 | 11 | | 101 | 97 | 90 | 83 | 74 | 65 | 51 | SVM32-140-2 | 26 | | 247 | 235 | 222 | 210 | 189 | 165 | 135 |
| SVM32-60 | 11 | | 108 | 104 | 97 | 90 | 81 | 72 | 57 | SVM32-140 | 30 | | 255 | 242 | 229 | 216 | 196 | 172 | 142 |
| SVM32-70-2 | 15 | | 119 | 114 | 107 | 98 | 88 | 78 | 60 | SVM32-150-2 | 30 | | 266 | 253 | 239 | 224 | 203 | 178 | 145 |
| SVM32-70 | 15 | | 126 | 121 | 113 | 105 | 95 | 85 | 67 | SVM32-150 | 30 | | 274 | 260 | 246 | 231 | 210 | 185 | 152 |
| SVM32-80-2 | 15 | | 136 | 131 | 123 | 114 | 102 | 90 | 71 | SVM32-160-2 | 30 | | 284 | 270 | 255 | 240 | 218 | 190 | 156 |
| SVM32-80 | 15 | | 144 | 138 | 130 | 120 | 109 | 97 | 77 | SVM32-160 | 30 | | 292 | 277 | 262 | 246 | 225 | 197 | 163 |



Dimension&Weight

| Model | Size (mm) | | | | | Net Weight(kg) |
|-----------------------|-----------|---------|-----------|---------|---------|----------------|
| | B1 | B2 | B1+B2 | D1 | D2 | |
| SVM32-10-1/SVM32-10 | 505 | 290 | 795 | 190 | 155 | 64/68 |
| SVM32-20-2/SVM32-20 | 575 | 345/355 | 920/930 | 197/230 | 165/180 | 77/85 |
| SVM32-30-2/SVM32-30 | 645 | 390 | 1035 | 260 | 208 | 100 |
| SVM32-40-2/SVM32-40 | 715 | 390 | 1105 | 260 | 208 | 109 |
| SVM32-50-2/SVM32-50 | 785 | 390 | 1175 | 260 | 208 | 125 |
| SVM32-60-2/SVM32-60 | 960 | 500 | 1460 | 330 | 255 | 185 |
| SVM32-70-2/SVM32-70 | 1030 | 500 | 1530 | 330 | 255 | 199 |
| SVM32-80-2/SVM32-80 | 1100 | 500 | 1600 | 330 | 255 | 203 |
| SVM32-90-2/SVM32-90 | 1170 | 550 | 1720 | 330 | 255 | 222 |
| SVM32-100-2/SVM32-100 | 1240 | 550 | 1790 | 330 | 255 | 227 |
| SVM32-110-2/SVM32-110 | 1310 | 575 | 1885 | 360 | 285 | 272 |
| SVM32-120-2/SVM32-120 | 1380 | 575 | 1955 | 360 | 285 | 276 |
| SVM32-130-2/SVM32-130 | 1450 | 575 | 2025 | 360 | 285 | 293 |
| SVM32-140-2/SVM32-140 | 1520 | 575/650 | 2095/2170 | 360/400 | 285/310 | 298/341 |
| SVM32-150-2/SVM32-150 | 1590 | 650 | 2240 | 400 | 310 | 345 |
| SVM32-160-2/SVM32-160 | 1660 | 650 | 2310 | 400 | 310 | 350 |